

# CAP 1/2 E4 C

## CAPRI Tap Range Capri Basin Pillar Taps Eco4 Chrome



### Features:

- Supplied with metal handles
- Chrome plated to BS EN 248
- Product supplied with 2 x 2 litre per minute flow regulators which can be inserted into the threaded tail to reduce water consumption and increase water efficiency (Flow Regulator accurate +/- 10%)

### Product Certifications:



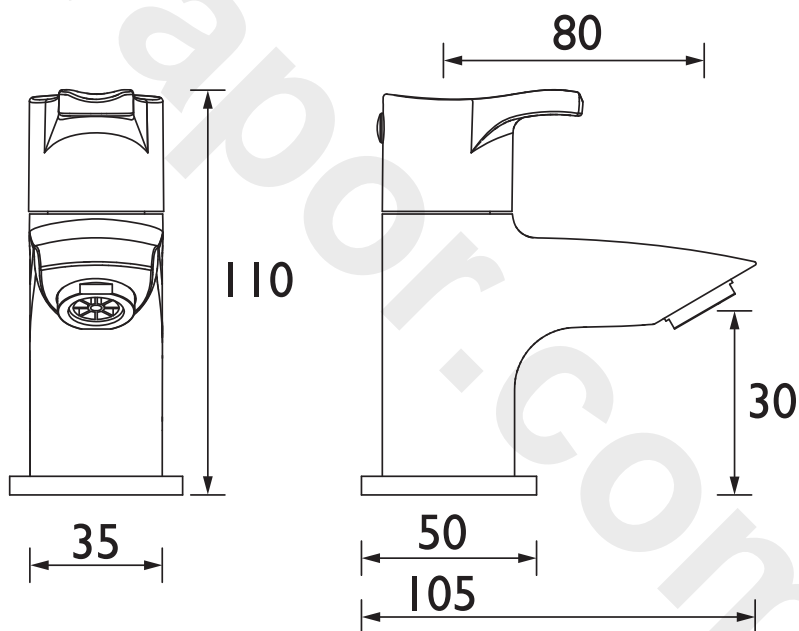
For more products, visit our website:  
<http://www.bristan.com>



### Specification

Product Type:	Bathroom Taps
Main Construction Material:	Brass
Mount Type:	Deck Mounted
Handle Type:	Lever Handles
Connection Inlet:	1/2" BSP
Connection Outlet:	M20 Flow Straightener
Number of Tap Holes:	2
Valve/Cartridge Type:	1/2" Ceramic Disc Valve
Plumbing System Requirements:	Suitable for all plumbing systems
Minimum Dynamic Pressure (bar):	0.2 bar
Maximum Dynamic Pressure (bar):	5.0 bar
Maximum Hot Water Temperature °C:	65°C
Maximum Static Pressure (bar):	10 bar
Flow Type:	Single Flow
Isolation Included:	No

### Dimensions (measurements in mm)



### Flow Rates (l/min)

System Pressure (bar)	0.2	0.5	1	2	3	5
CAP 1/2 E4 C (mixed)	4	4	4	4	4	4

## TECHNICAL DATA SHEET



# BRISTAN

D5